

WasteMaid®

FOOD WASTE DISPOSERS *Elite*

1880



5/8 HP HEAVY DUTY

Easy and Fast to Install

Waste Maid Elite disposers feature Speed Master Mounting, an exclusive system that provides fast and economical installation.

Corrosion Proof

The Waste Maid Elite Heavy Duty model carries a lifetime warranty against failure due to corrosion.

Cast Impellers

The Waste Maid Elite Heavy Duty model has cast stainless steel impellers which means finer grind.

Permanent Magnet Motors

Waste Maid Elite motors offer maximum torque instantly with the power to cut through potential jams.

Removable Splash Guard

All Waste Maid Elite models have a removable splash guard, ideal for easy cleaning and replacement.



BUILT-IN AIR SWITCH

This model features a Built-In Air Switch Power Option. Turn on your disposer by the power switch or by pushing a button that creates air pressure to turn on disposer. Great option for use with islands.



BIO SHIELD

(Antimicrobial)
for **ODOUR PROTECTION!**

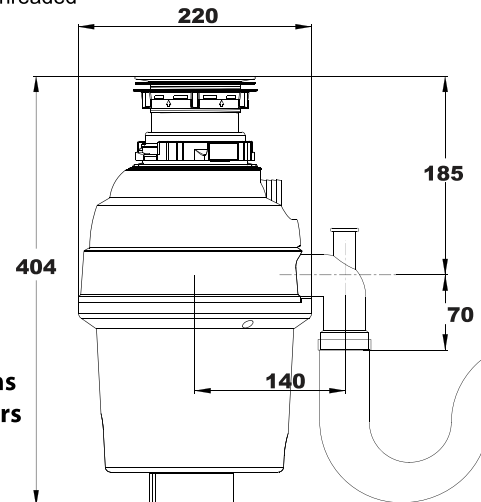
Disposers are treated with an antimicrobial agent molded inside providing protection against odour causing bacteria growth.



The **TORQUE MASTER Grinding System** is a combination of computer designed and balanced components working in unison to provide superior torque grind speed and long system life.

3 YEAR WARRANTY

HORSEPOWER	5/8 HP
MOTOR SPEED RPM	2700 RPM
VOLTAGE	220-240v
WATTAGE	490
AMPS	2.25
CYCLES	50/60
BEARINGS	Permanently Lubricated, Sleeve Type
MOTOR TYPE	Permanent Magnet
SPLASH GUARD	Removable
GRIND RING	Stainless Steel
SWIVEL IMPELLERS	Cast Stainless Steel
BALANCED TURNTABLE	Stainless Steel
BALANCED ARMATURE SHAFT	Yes
HOPPER	Corrosion Proof
DRAIN HOUSING	Corrosion Proof
APPLIANCE PROTECTOR	Manual Reset
SINK FLANGE	Stainless Steel Cap on Reinforced Nylon
MOUNT ASSEMBLY	Speed Master-Threaded
SOUND SHELL	Full
ATTACHED POWER CORD	Yes
DISHWASHER CONNECTION	Yes
UNIT WEIGHT	5.45 kg
LIFETIME CORROSION GUARANTEE	Yes



Dimensions in Millimeters



Email: ContactUs@WasteMaid.co.uk

www.WasteMaid.co.uk

All Waste Maid Elite Disposers are compliant with the EC Directive regards RoHS.

SS-1880-UK-171

©2016, All Rights Reserved