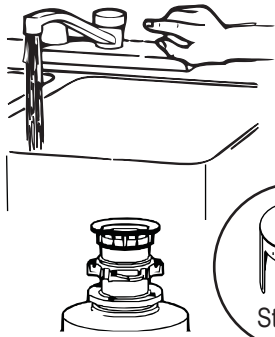
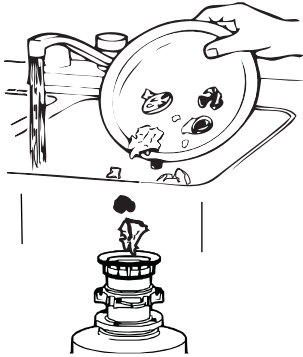
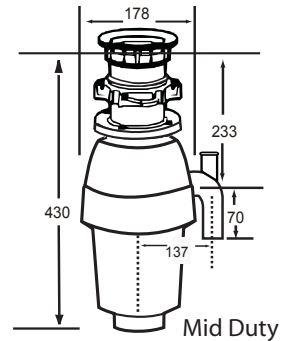


BATCH FEED OPERATING INSTRUCTIONS

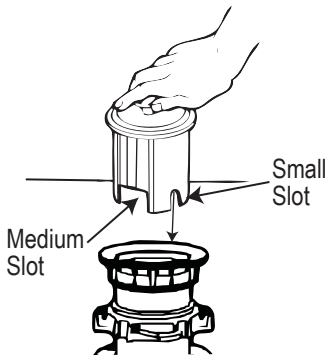
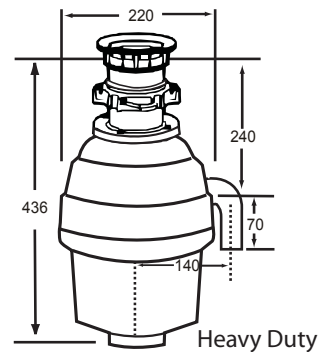


1. Turn on a medium flow of cold water after sink stopper has been removed.

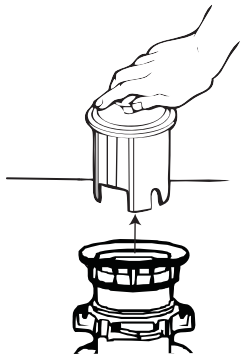
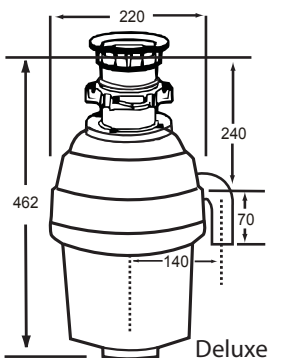
DIMENSIONS



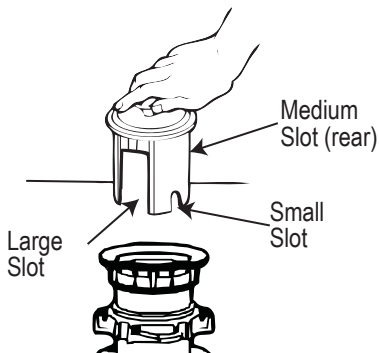
2. Scrape food waste down into the disposer.



3. Insert stopper into the disposer to switch the disposer on. One of the two small slots in stopper base must line up with switch plunger located inside the neck of the disposer. Push down firmly. Run disposer with water for 25 seconds after shredding stops. This assures that all waste is thoroughly flushed through trap and drain.



4. Lift/Remove stopper to shut off the disposer and turn off water.



5. To fill sink, insert stopper so that **large slot** lines up with switch plunger. Stopper can now be pushed down to seal sink without actuating disposer.

When **medium sized slot** in stopper base is lined up with the switch plunger, water can drain, but tableware, etc., cannot be accidentally dropped into disposer. We recommend leaving the stopper in this position when not in use.